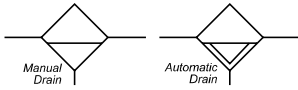
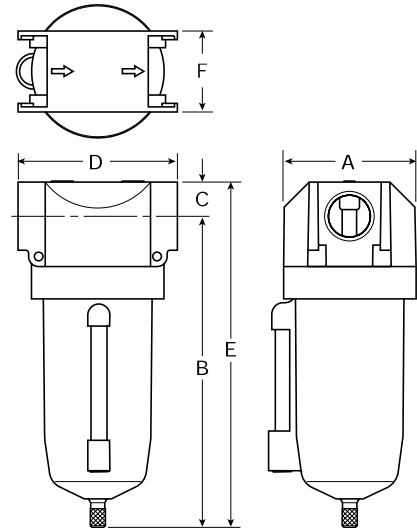


**F20 & F21 QIX Particulate & Coalescing Filters**



**Features**

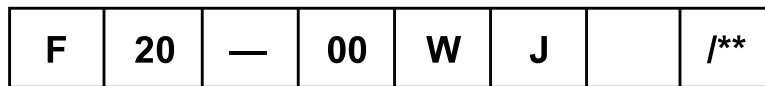
- Unique Interchangeable QIX Inserts Allow One Module to Accommodate 5 Port Sizes 1/4", 3/8", 1/2", 3/4", 1"
- For Heavy Duty Applications with Minimum Pressure Drop Requirement
- Excellent Water Removal Efficiency
- Available in Both Particulate (F20) and Coalescing (F21) Configurations
- Metal Bowl with Sightgauge Standard
- Manual Drain Standard. Automatic Float Drain Optional
- High Flow - 180 SCFM for 3/4" & 1" Sizes (F20)  
 20 SCFM (F21 Coalescing)



F20 & F21 Filter Dimensions						
A	B	C	D*	D**	E	F
2.90 (74)	6.82 (173)	.75 (19)	3.50 (89)	4.50 (114)	7.58 (192)	1.77 (45)

inches (mm)  
 \* 1/4 thru 3/4 Inch Port Insert Size  
 \*\* 1 Inch Port Insert Size

**Ordering Information**

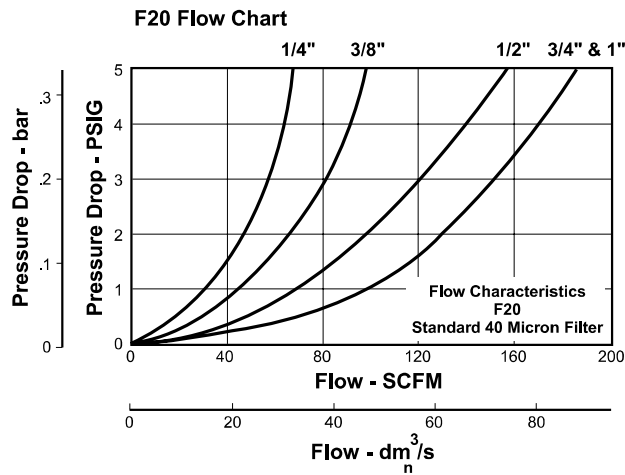


<b>Filter Types</b> <b>20 Particulate</b> <b>21 Coalescing</b>	<b>Port Threads</b> — NPT G* BSPP <small>*If ordering BSPP Port Inserts Separately - Order "-00" Unit</small>	<b>Port Size</b> <b>00 No Port Inserts</b> <b>02 1/4 Inch</b> <b>03 3/8 Inch</b> <b>04 1/2 Inch</b> <b>06 3/4 Inch</b> <b>08 1 Inch</b>	<b>Elements</b> <b>J F20 40 Micron</b> <b>G F20 5 Micron</b> <b>J* F21 .01 Micron Coalescing</b> <small>* Only Available with F21</small>	<b>Optional Drain</b> R Internal Auto Float Drain	<b>Engineering Change Designator</b> Will be entered at factory.
--	--	---	---	--	---

**BOLD ITEMS ARE MOST POPULAR.**



Technical Information



F21 Flow: 20 SCFM @ 100 PSIG

**QIX F20 & F21 Kits & Accessories**

**Drains –**

- Automatic Float Drain ..... SA602MD
- Automatic Pulse Drain ..... 4212
- Semi-Automatic "Overnight" Drain ..... SA602A7  
(Drains automatically under zero pressure)

**Bowl Kit** ..... BKF21WA

**Bowl Sightgauge Repair Kit** ..... RKB605WB

**Combination Connector** ..... IK20CC  
(Connects 2 QIX units together)

**Combination Porting Block** ..... IK20CP  
(same as IK20CC, except with 1/8" top branch outlet)

**Element Kits –**

- Particulate (F20) 40 micron ..... EKF20A
- Particulate (F20) 5 micron ..... EKF20VA
- Coalescing (F21) .01 micron ..... EKF601J

**Mounting brackets (pair)** ..... MK20-0100  
(Mounts directly to port inserts)

**Port Insert Kits (includes o-rings & pins) NPT –**

- 1/4" Port Size ..... IK20Y
- 3/8" Port Size ..... IK20X
- 1/2" Port Size ..... IK20A
- 3/4" Port Size ..... IK20B
- 1" Port Size ..... IK20C

**Shut-off Valve w/lockout (for inlet)** ..... IK20V

**Specifications**

**Bowl Capacity** ..... 10 oz.

**Filter Element Rating –**

- "J" (F20 particulate) ..... 40 micron
- "G" (F20 particulate) ..... 5 Micron
- "J" (F21 coalescing) ..... .01 Micron

**Maximum Pressure** ..... 250 PSIG  
With Autodrain ..... 175 PSIG

**Port Threads / Inserts –**

- 00 ..... No Port Inserts
- 02 ..... 1/4"
- 03 ..... 3/8"
- 04 ..... 1/2"
- 06 ..... 3/4"
- 08 ..... 1"

**Temperature Range** ..... 40°F to 150°F (4.4°C to 65.6°C)  
With Auto Drain ..... 40°F to 125°F (4.4°C to 52°C)

**Weight** ..... 2.1 lb  
(For total weight add .1 lb for port inserts)

**Materials of Construction**

- Body** ..... Zinc
- Bowl** ..... Zinc
- Drain** ..... Brass

**Filter Element –**

- Particulate ..... Polypropylene
- Coalescing ..... Borosilicate Fibers

**Thread Inserts** ..... Zinc

**Seals** ..... Buna-N

**Sightgauge** ..... Nylon

